



## DLC Quickship Brochure



**LED Retrofits and LED Fixtures**

Ritsona, Greece - Global Tech LED

### LED Quickship Products (MSRP)

**\*Products ship within 5 Business Days\***





## Quickship DLC Products

All products ship within 5 business days after order confirmation\*. **Contact your local representative for your pricing multiplier.** To find the nearest representative to you, please call us at 877.748.5533.

\* If product is currently in stock

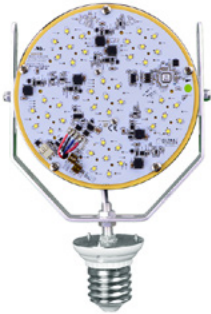
### 30W-135W Yoke Mounted Retrofits

Ordering Code Example: GTR-AR - 5498 - HO - SV - GR - NL - SOLY

GTR-AR	-	5498	-		-		-		-	SOLY
--------	---	------	---	--	---	--	---	--	---	------

Fixture		Wattage		MSRP	Color Temp		Optics	
Fixture	LED Model #	Wattage Output	Diver Input Voltage		Kelvin	Optics	Mount	
GTR-AR	5498	HO = (135W)	SV = 120-277V	\$522.00	BR = 5000K (80CRI)	NL = No Lens 360s = Square Side Emitters	SOLY (E39)	
			HV = 347-480V	\$574.00	BL = 4000K (80CRI)			
	5498	HI = (95W)	SV = 120-277V	\$488.00		T2 = Type II		
			HV = 347-480V	\$527.00				
	5498	MH = (85W)	SV = 120-277V	\$488.00				
			HV = 347-480V	\$527.00				
	5498	ML = (75W)	SV = 120-277V	\$488.00				
			HV = 347-480V	\$527.00				



Ordering Code Example: GTR-AR - M21 - HI - SV - GR - NL - SOLY

GTR-AR	-	M21	-		-		-		-	SOLY
--------	---	-----	---	--	---	--	---	--	---	------

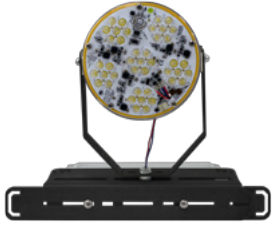
Fixture		Wattage		MSRP	Color Temp		Optics	
Fixture	LED Model #	Wattage Output	Diver Input Voltage		Kelvin	Optics	Mount	
GTR-AR	M21	HI = (60W)	SV = 120-277V	\$360.00	BR = 5000K (80CRI)	NL = No Lens 360s = Square Side Emitters	SOLY (E39)	
					BL = 4000K (80CRI)			
	M21	MH = (50W)	SV = 120-277V	\$360.00		T2 = Type II		
	M21	ML = (40W)	SV = 120-277V	\$360.00				
	M21	LO = (30W)	SV = 120-277V	\$360.00				



# Universal Brackets and Finial Mounts



## 30W-135W Universal Bracket Retrofits for Shoeboxes



**Minimum Fixture Diameter:**  
11.75"  
**Maximum Fixture Diameter:**  
22.75"

Ordering Code Example: GTR-AR - 5498 - HO - SV - GR - NL - UVBR

GTR-AR	-	5498	-		-		-		-		-	UVBR
Fixture	Wattage			Color Temp		Optics						
Fixture	LED Model #	Wattage Output	Diver Input Voltage	MSRP	Kelvin	Optics	Mount					
GTR-AR	5498	HO = (135W)	SV = 120-277V	\$522.00	BR = 5000K (80CRI)	NL = No Lens	UVBR					
			HV = 347-480V	\$574.00	BL = 4000K (80CRI)	360s = Square Side Emitters						
	5498	HI = (95W)	SV = 120-277V	\$488.00		T2 = Type II						
			HV = 347-480V	\$527.00								
	5498	MH = (85W)	SV = 120-277V	\$488.00								
			HV = 347-480V	\$527.00								
	5498	ML = (75W)	SV = 120-277V	\$488.00								
			HV = 347-480V	\$527.00								



**Minimum Fixture Diameter:**  
6"  
**Maximum Fixture Diameter:**  
12"

Ordering Code Example: GTR-AR - M21 - HI - SV - GR - NL - UVBR

GTR-AR	-	M21	-		-		-		-		-	UVBR
Fixture	Wattage			Color Temp		Optics						
Fixture	LED Model #	Wattage Output	Diver Input Voltage	MSRP	Kelvin	Optics	Mount					
GTR-AR	M21	HI = (60W)	SV = 120-277V	\$360.00	BL = 4000K (80CRI)	NL = No Lens	UVBR					
						360s = Square Side Emitters						
	M21	MH = (50W)	SV = 120-277V	\$360.00		T2 = Type II						
	M21	ML = (40W)	SV = 120-277V	\$360.00								
	M21	LO = (30W)	SV = 120-277V	\$360.00								



## 30W-135W Post Top Finial Mount Retrofits

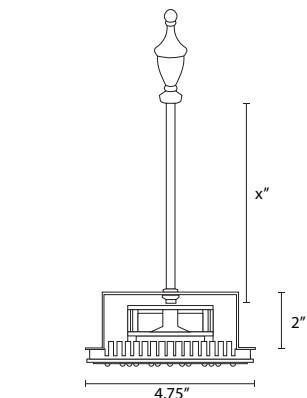
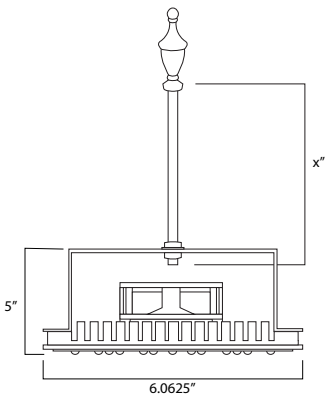
Ordering Code Example: GTR-AR - 5498 - HO - SV - GR - NL - PTFM

GTR-AR	-	5498	-		-		-		-		-	PTFM
Fixture	Wattage			Color Temp		Optics						
Fixture	LED Model #	Wattage Output	Diver Input Voltage	MSRP	Kelvin	Optics	Mount					
GTR-AR	5498	HO = (135W)	SV = 120-277V	\$593.00	BR = 5000K (80CRI)	NL = No Lens	PTFM					
			HV = 347-480V	\$645.00	BL = 4000K (80CRI)	360s = Square Side Emitters						
	5498	HI = (95W)	SV = 120-277V	\$559.00		T2 = Type II						
			HV = 347-480V	\$598.00								
	5498	MH = (85W)	SV = 120-277V	\$559.00								
			HV = 347-480V	\$598.00								
	5498	ML = (75W)	SV = 120-277V	\$559.00								
			HV = 347-480V	\$598.00								



Ordering Code Example: GTR-AR - M21 - HI - SV - GR - NL - PTFM

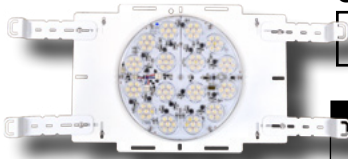
GTR-AR	-	M21	-		-		-		-		-	PTFM
Fixture	Wattage			Color Temp		Optics						
Fixture	LED Model #	Wattage Output	Diver Input Voltage	MSRP	Kelvin	Optics	Mount					
GTR-AR	M21	HI = (60W)	SV = 120-277V	\$428.50	BL = 4000K (80CRI)	NL = No Lens	PTFM					
						360s = Square Side Emitters						
	M21	MH = (50W)	SV = 120-277V	\$428.50		T2 = Type II						
	M21	ML = (40W)	SV = 120-277V	\$428.50								
	M21	LO = (30W)	SV = 120-277V	\$428.50								





# Universal Shoebox Retrofit Plates

## 180W Universal Shoebox Retrofit



**Minimum Fixture**  
Dimensions:  
18.3" x 12.5"

**Maximum Fixture**  
Dimensions:  
34.8" x 29"

Ordering Code Example: GTR-AR - 112 - ML - SV - BR - NL - UVSB

GTR-AR	-	5498	-	ML	-	SV	-	BR	-	NL	-	UVSB
Fixture		Wattage			MSRP	Color Temp		Optics		Mount		
Fixture	LED Model #	Wattage Output	Diver Input Voltage	Kelvin		Optics						
GTR-AR	112	ML = (180W)	SV = 120-277V	\$1,051.50	BR = 5000K (80CRI)	NL = No Lens	UVSB					



## 75W-135W Universal Shoebox Retrofit



**Minimum Fixture**  
Dimensions:  
14.25" x 14.5"

**Maximum Fixture**  
Dimensions:  
27" x 26.75"

Ordering Code Example: GTR-AR - 5498 - HO - SV - GR - NL - UVSB

GTR-AR	-	5498	-		-		-		-	UVSB
Fixture		Wattage			MSRP	Color Temp		Optics		Mount
Fixture	LED Model #	Wattage Output	Diver Input Voltage	Kelvin		Optics				
GTR-AR	5498	HO = (135W)	SV = 120-277V	\$566.00	BR = 5000K (80CRI)	NL = No Lens	UVSB			
			HV = 347-480V	\$618.00	BL = 4000K (80CRI)	360s = Square Side Emitters				
	5498	HI = (95W)	SV = 120-277V	\$532.00		T2 = Type II				
			HV = 347-480V	\$571.00						
	5498	MH = (85W)	SV = 120-277V	\$532.00						
			HV = 347-480V	\$571.00						
	5498	ML = (75W)	SV = 120-277V	\$532.00						
			HV = 347-480V	\$571.00						



## 30W-60W Universal Shoebox Retrofit



**Minimum Fixture**  
Dimensions:  
14.4" x 11"

**Maximum Fixture**  
Dimensions:  
27.5" x 24"

Ordering Code Example: GTR-AR - M21 - HI - SV - GR - NL - UVSB

GTR-AR	-	M21	-		-	SV	-		-	UVSB
Fixture		Wattage			MSRP	Color Temp		Optics		Mount
Fixture	LED Model #	Wattage Output	Diver Input Voltage	Kelvin		Optics				
GTR-AR	M21	HI = (60W)	SV = 120-277V	\$401.50	GR = 5000K (70CRI)	NL = No Lens	UVSB			
			BR = 5000K (80CRI)	360s = Square Side Emitters						
	M21	MH = (50W)	SV = 120-277V	\$401.50	YW = 4100K (70CRI)	T2 = Type II				
			BL = 4000K (80CRI)							
	M21	ML = (40W)	SV = 120-277V	\$401.50						
			LO = (30W)	\$401.50						



# Complete High Bay Fixtures



## G16 (Gemini) High Bay

Ordering Code Example:

GTL-HB-G16 - 112 - MH - SV - BR - 25D



Actual Fixture Shown

Fixture	Module	Wattage	Voltage	MSRP	CCT	Lens
GTL-HB-G16	112	MH (250W)	SV (120V-277V)	\$951.50	BR (5000K) [80CRI]	25D = 25D Lens
					BL (4000K) [80CRI]	50D = 50D Lens
						75D = 75D Lens

Please see HB-G16 (Gemini) DLC Cutsheet for more details



## Atlas High Bay

Ordering Code Example:

GTL-HB-ATLAS - 5498 - HO - SV - GR - 10D



Actual Fixture Shown

Fixture	Module	Wattage	Voltage	MSRP	CCT	Lens	Accs	
GTL-HB-ATLAS	5498	HO (135W)	SV (120V-277V)	\$610.50	GR (5000K) [70CRI]	NL = No Lens	GT-PENDANT	\$40.00
					BL (4000K) [80CRI]	25D = 25D Lens		
						50D = 50D Lens		
						75D = 75D Lens		

Please see Atlas DLC Cutsheet for more details

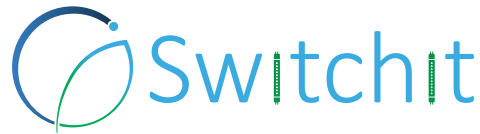
[if GT-PENDANT Accessory is requested, please specify length on PO]





# Flourescent to LED Tube Replacement

## Switchit Bi-Level T8 LED Tube

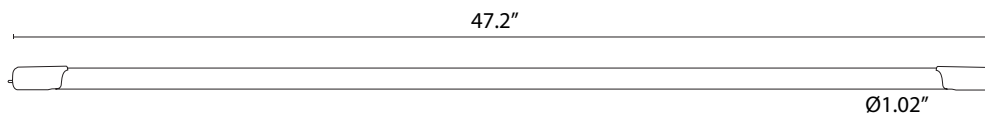


- High output LED T8 lamp
- Installs in seconds.
- Customize light levels for low or high situations.
- Extends existing ballast life up to 10x rated life.
- No rewiring or new ballasts needed
- 7 year/50,000Hr warranty
- LUMENS: 20W= 2200 / 14W=1600
- 110 - LPW
- CCT: 5000

### ***BALLAST COMPATIBLE***

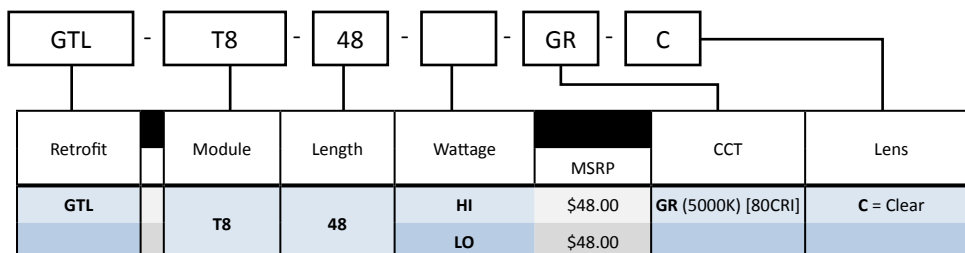
Check out the table below for more information

Wattage per Ballast Factor	Low Wattage Setting	High Wattage Setting
Low Ballast Factor .75	12W	18W
Normal Ballast Factor .88	14W	22W
Medium Ballast Factor 1.0	16W	26W
High Ballast Factor 1.2	20W	30W
Ballast Compatibility	Manufacturer Approved Electronic Rapid Start \ Instant Start \ Emergency	
Tombstone Compatibility	<b>Shunted</b> (Non Shunted must be bridged before installation)	
Chromaticity Data	80 CRI	
CCT	5000K	
L70 Lifespan	60,000 Hours	
Beam Angle	160 degrees	
Dimensions	47.2" - 1200mm / 1.02" - 26mm	
Weight	13oz.	
Limited Warranty	7 Years or 50,000 Hours	



Ordering Code Example:

GTL - T8 - 48 - GR - C





# picturesque lighting

Vail, CO - Global Tech LED



Global Tech LED  
8901 Quality Rd  
Bonita Springs, FL 34135  
1.877.748.5533  
[www.globaltechled.com](http://www.globaltechled.com)

