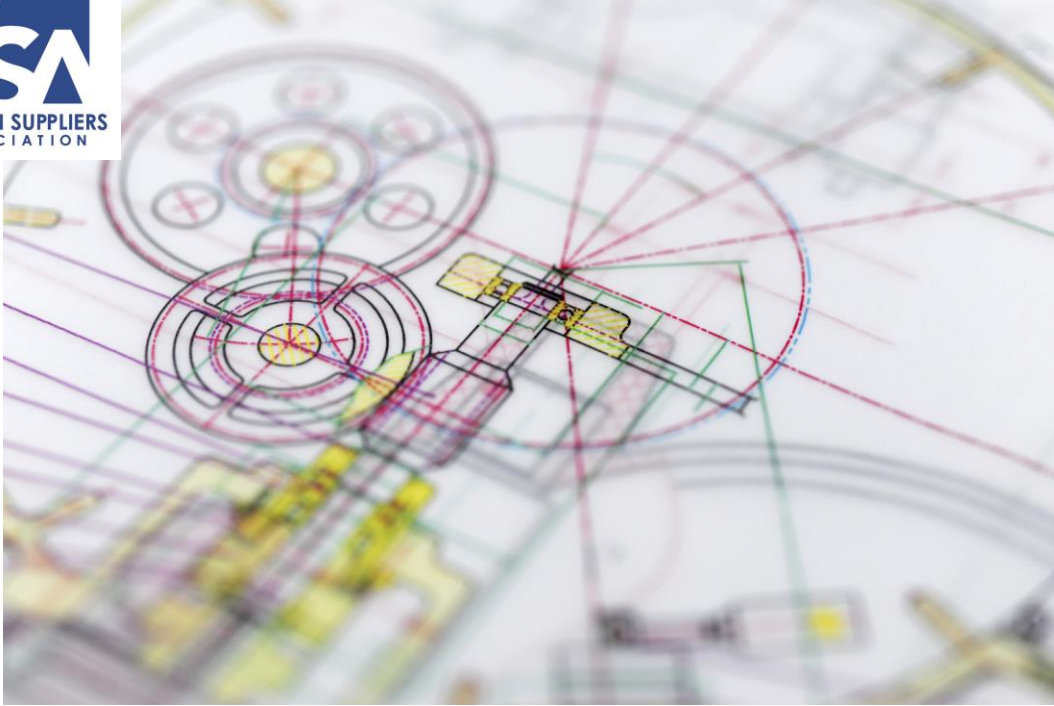


FAA AC 00-56  
ASA-100 ACCREDITED



**Seginus Inc.** is pleased to introduce 300SGL1103-8EH, 300SGL1103-4EH, 300SGL1103-14EH, 400SG1103-12EH, 150SG1103-2EH, & 150SG1103-7EH **Drive Shaft Assemblies**

## FAA PMA

### OEM Part Numbers:

Various – See Attached Tables A & B

### PMA Part Numbers:

Various – See Attached Tables A & B

### Quantity Per Unit:

One

### Installation:

Various Starter-Generator Models – See Tables A & B

### CMM Reference:

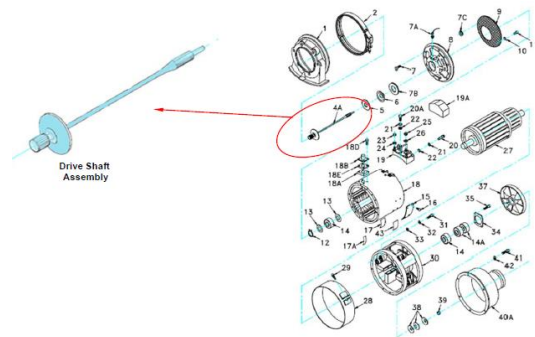
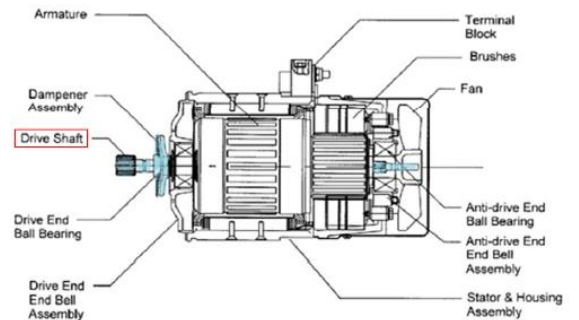
Various – See Attached Tables A & B

The Drive Assembly **P/Ns referenced above** is an article of various Starter-Generator(s) manufactured by Skurka Aerospace Inc, and Honeywell. The Drive Shaft Assemblies have eligibility installation on various Series Aircraft. See Attached Tables C, D, and E.

Seginus Inc has released the following FAA PMA replacement part to aid in your cost reduction programs when maintaining your Skurka-Aerospace Inc. and Honeywell Starter-Generators.

### Various P/Ns referenced above Drive Shaft Assemblies

For additional information, contact our USA offices or your regional distributor.



Scan for more information or log on [www.seginusinc.com](http://www.seginusinc.com)

114 Kirkland Circle  
Suite B  
Oswego, IL 60543

Tel: 630-800-2795  
Fax: 630-800-2097

Also check out our company page on LinkedIn.



Skurka CMM	Drive Shaft Assembly P/N's	Starter-Generator Models	
TM101 Rev. 14	150SG1103-2	150SG115Q 150SG117Q 150SG123Q 150SG144Q	150SG125Q-2 150SG117Q-3 150SG117Q-4
	150SG1103-7	150SG122Q	
TM109 Rev. 8	300SGL1103-4	300SGL115Q 300SGL126Q 300SGL138Q-2 300SGL138Q-5	300SGL145Q 300SGL146Q 300SGL152Q
	300SGL1103-8	300SGL129Q 300SGL129Q-2	300SGL129Q-3
	300SGL1103-14	300SGL138Q-4	300SGL157Q
TM110 Rev. 7	400SG1103-12	400SG115Q 400SG123Q 400SG142Q 400SG163Q	400SG168Q 400SG157Q 400SG166Q 400SG147Q

**Table A** – Identified Drive Shaft Assembly P/N's & Applicable Skurka Starter-Generator Models

Honeywell CMM	Drive Shaft Assembly P/N's	Starter-Generator Models	
1152400	400SG1103-12	1152400-2 Series 1	1152400-4 Series 2
		1152400-3 Series 1	1152400-5 Series 1
		1152400-4 Series 1	1152400-5 Series 2
1152106	400SG1103-12	1152106-2 Series 1	1152106-3 Series 1
		1152106-2 Series 2	1152106-3 Series 2

**Table B** – Identified Drive Shaft Assembly P/N's & Applicable Honeywell Starter-Generator Models

The following Tables C, D, and E depict installation Eligibility for 150, 300, and 400 Series Drive Shaft Assemblies. Contained in each table is included the applicable aircraft, 14CFR Part and TCSS with revision.

Starter Model	Drive Shaft Assembly	Aircraft	Model	Document	Part	TCDS	Rev
150SG122Q	150SG1103-7	Airbus Helicopter	AS350C AS350D AS350D1 AS350B AS350B1 AS350B2 AS350BA AS350B3	TM101	27	H9EU	23
			SA365N			H10EU	20
150SG117Q	150SG1103-2		AS355E AS355F AS355F1 AS355F2 AS355N AS355NP	TM101	27	H11EU	11
		Airbus Helicopters Duetschland	BO-105A BO-105C BO-105S			H3EU	23
150SG123Q	150SG1103-2	Bell	206A 206B 206L	TM101	27	H2SW	48
150SG117Q		Agusta	A109 A109A A109C			H7EU	25
150SG117Q-4	150SG1103-2	Enstrom	480B	SH1142EA	27	H1CE	36
150SG117Q		MDHI (Hughes)	369H 369HM 369HS 369HE 369D			H3WE	26
	Nomad TC Pty Ltg	N22B N22A N22S	TM101	23	A7PC		
	B-N Group Ltd	BN2T			A17EU	18	
		Vulcan Air S.p.A.	SF600			A61EU	3

**Table C** – Applicable Starter-Generator Models for Drive Shaft Assembly 150 Series

Starter Model	Drive Shaft Assembly	Aircraft	Model	Document	Part	TCDS	Rev
300SGL129Q	300SGL1103-8	Textron Aviation	525	TM109	23	A1W1	24
300SGL129Q-2			560		25	A22CE	67
300SGL138Q-2	300SGL1103-4		560XL				
300SGL138Q-5			200 208B		25	A22CE	67
300SGL145Q			560XL		29	R00002RD	13
300SGL138Q-4	300SGL1103-14		Agusta		AB139 AW139	23	A86EU
300SGL146Q	300SGL1103-4	Aeromacchi S.p.A.	S.211A		23	A60EU	26
300SGL115Q	300SGL1103-4	Socata	TBM700		23	A60EU	26
300SGL126Q	300SGL1103-4						

**Table D** – Applicable Starter-Generator Models for Drive Shaft Assembly 300 Series

Starter Model	Drive Shaft Assembly	Aircraft	Model	Document	Part	TCDS	Rev
400SG142Q	400SG1103-12	Piaggio	P-180	TM110	23	A59EU	22
1152106-2 Series 1	400SG1103-12	Bombardier	DHC-8-400 Series	1152106	25	A13NM	20
1152106-2 Series 2							
1152106-3 Series 1							
1152106-2 Series 2							
1152400-2 Series 1				1152400			
1152400-3 Series 1							
1152400-4 Series 1							
1152400-4 Series 2							
1152400-5 Series 1							
1152400-5 Series 2							

**Table E** – Applicable Starter-Generator Models for Drive Shaft Assembly 400 Series