

Seginus Inc. is pleased to introduce RS823-1EH Seal Assembly

**FAA
PMA**

OEM Part Numbers:
RS823-1

PMA Part Numbers:
RS823-1EH

Quantity Per Unit:
Two

Installation:
Various Rockwell
Collins Lav. Drain
Ball Valve
Assemblies.

CMM Reference:
CMM 2651-278,
ATA 38-38-08

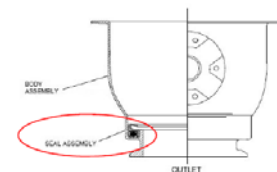
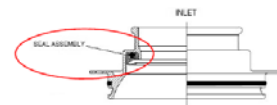
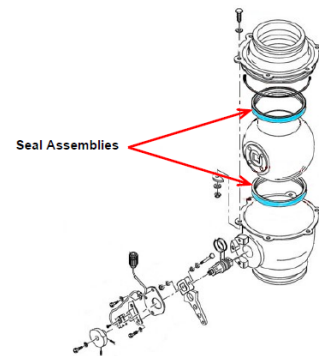
The Seal Assembly
P/N RS823-1EH is a part of the
Lavatory Drain Ball Valve Assembly. The
Lavatory Drain Valves(s) are part of the
aircraft waste drain assembly. The ball
valves are opened and closed manually
to drain waste tanks during preflight
service. These valves are used on
Boeing 737, 747, 757, 767, and 777
series aircraft.

Seginus Inc has released the following
FAA PMA replacement part to aid in your
cost reduction programs when
maintaining your Rockwell Collins
Lavatory Drain Ball Valve Assemblies.

Lavatory Drain Ball Valve Assemblies:
P/Ns 2651-278-13, -14, -17, -25

RS823-1EH - Seal Assembly

For additional information, contact our
USA offices or your regional distributor.



Scan for more
information or log on
www.seginusinc.com

114 Kirkland Circle
Suite B
Oswego, IL 60543

Tel: 630-800-2795
Fax: 630-800-2097

Also check out our
company page on
LinkedIn.

