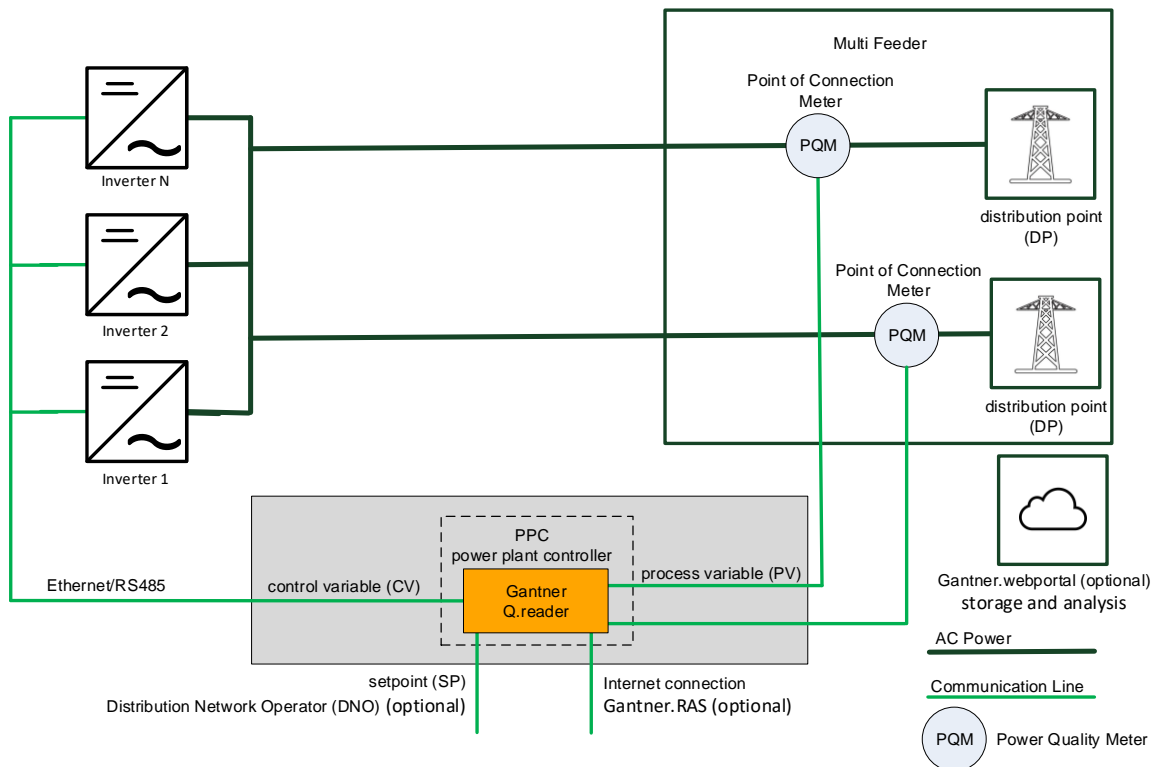




Gantner Power Plant Controller PPC

The **Gantner Q.reader central** power plant controller “PPC” is designed to fulfil the requirements for utility scale solar power plants with multi feeder applications.



- **Gantner Q.reader central PPC** features for utility scale PV power plants
 - multi feeder support
 - Absolute Production Constraint
 - Power Gradient Constraint
 - Voltage Control
 - Reactive Power Control
 - Power Factor Control
 - Frequency Control
 - Data logging
 - Browser based HMI
 - Remote configuration by Gantner.RAS
- **Gantner Q.reader cabinet** with integrated Q.reader central PPC
 - IP65 enclosure
 - Power supply and UPS
 - Industrial Router
 - Ethernet Switch with optional FX (optical fiber)
 - interfaces
 - Ethernet, RS485, optional analogue and digital inputs and outputs
 - Surge protection devices
- **Requirements**
 - Power Quality meter with Modbus TCP interface at the point of connection “DP” to the grid
 - Setpoint by Modbus TCP or optional by IEC60870 or DNP protocols or digital and analogue IOs
 - Inverter control by Modbus TCP or supported proprietary protocol (check HCL)
 - Internet connection for configuration and service